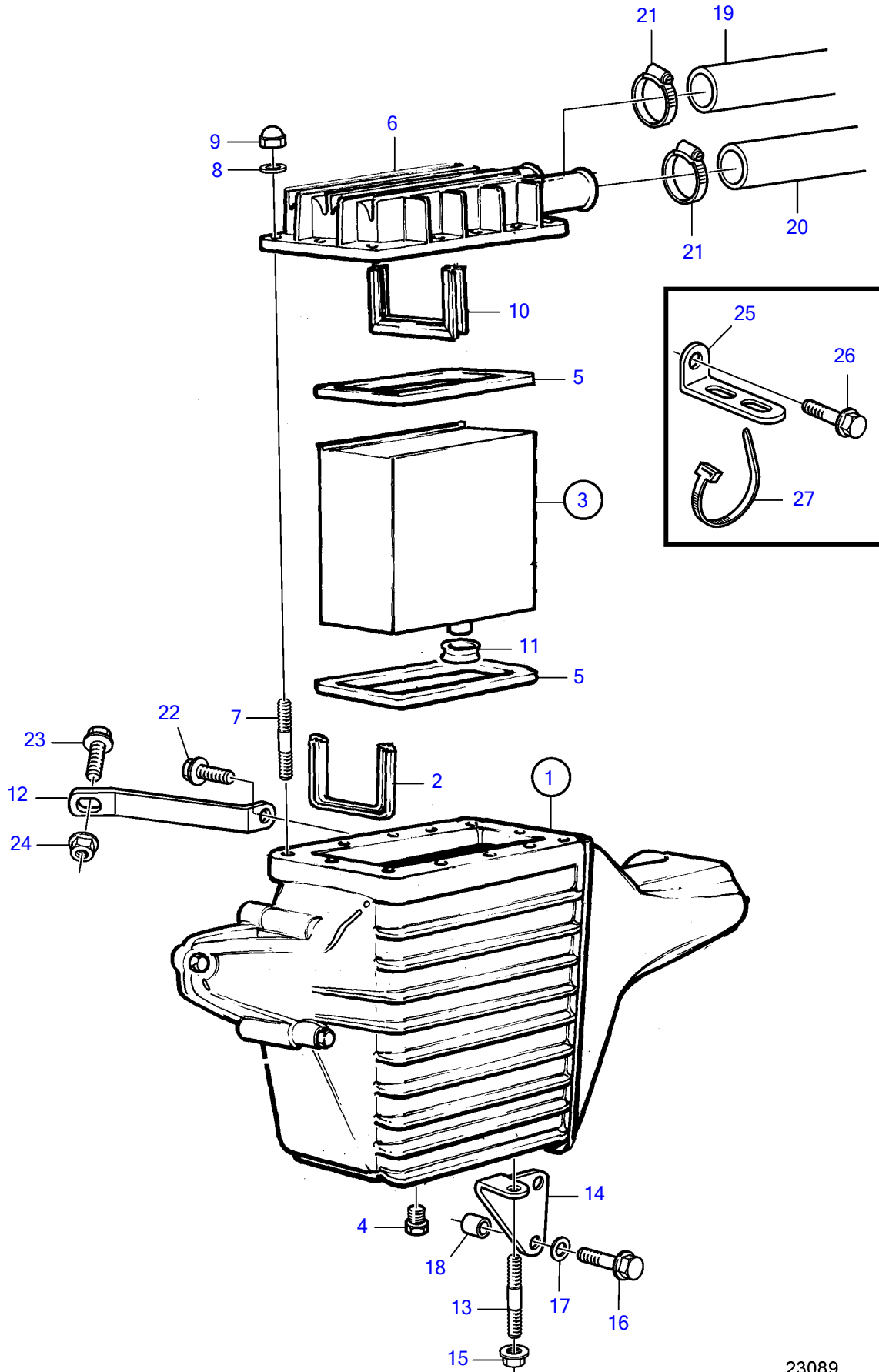


AD31L-A, TAMD31L-A, TAMD31M-A, TAMD31S-A



AD31L-A, TAMD31L-A, TAMD31M-A, TAMD31S-A

REF	PART NO.	QTY	DESCRIPTION	NOTES
1	861657	1	Housing	(861656)
2	3582639	1	• Sealing strip	
3	3582598	1	Insert	
4	861551	1	• Plug	
5	860920	2	Gasket	
6	860409	1	Cover	
7	953036	12	Stud	
8	955893	12	Washer	
9	968458	12	Flange cap nut	
10	847573	1	Sealing strip	
11	858979	1	Sealing ring	
12	858967	1	Bracket	
13	953041	1	Stud	
14	858965	1	Bracket	
15	945408	1	Flange nut	
16	965226	2	Flange screw	
17	955897	2	Washer	
18	843122	2	Spacer sleeve	TAMD31L-A/M-A/S-A
	861554	2	Spacer	AD31L-A
19	860644	1	Hose	After cooler-oil cooler.
20	860645	1	Hose	Heat exchanger-after cooler.
21	943476	2	Hose clamp	
22	946440	1	Flange screw	
23	946934	1	Flange screw	
24	945407	1	Flange nut	
25	965562	1	Bracket	
26	946329	1	Flange screw	
27	948211	1	Cable tie	